



For more Hi-Fi manuals and set-up information
please visit www.hifiengine.com

Technical Manual

S4800



ACOUSTIC & ELECTRICAL SPECIFICATIONS:

- Nominal Impedance 8 ohms
- Max Amp Power 300 watts*
- Frequency Response 55Hz – 40kHz (-6dB)
- Sensitivity 93dB (2.83V @ 1 meter)
- Crossover Frequencies 900Hz, 8kHz

SYSTEM COMPONENTS:

- Cabinet S4800 (not for sale)
- Grille 351434-001
- UHF Transducer 1" (25mm) 045TI
339009-001
DC Resistance 3.1 ohms ±10%
- High-Frequency Transducer 3" (76mm) 435AL
338831-001
DC Resistance 4.1 ohms ±10%
- Low-Frequency Transducer 15" (381mm) 1500FE
338975-001
DC Resistance 8.0 ohms ±10%
- Crossover Network – LF HF/UHF 351409-002
351409-001

AURAL SWEEP TEST SPECIFICATIONS:

- System Aural Sweep Test 6.0V Input 50Hz to 20kHz
- L.F. Aural Sweep Test 5.0V Input 50Hz to 1kHz
- H.F. Aural Sweep Test 4.0V Input 500Hz to 9kHz
- U.H.F. Aural Sweep Test 2.83V Input 7kHz to 20kHz

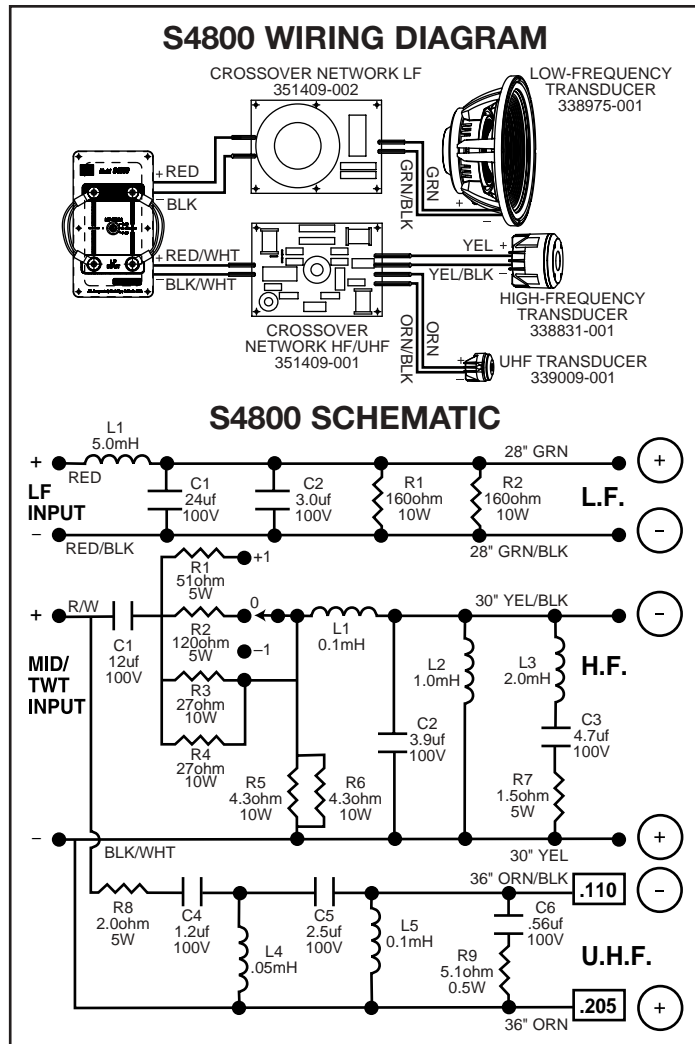
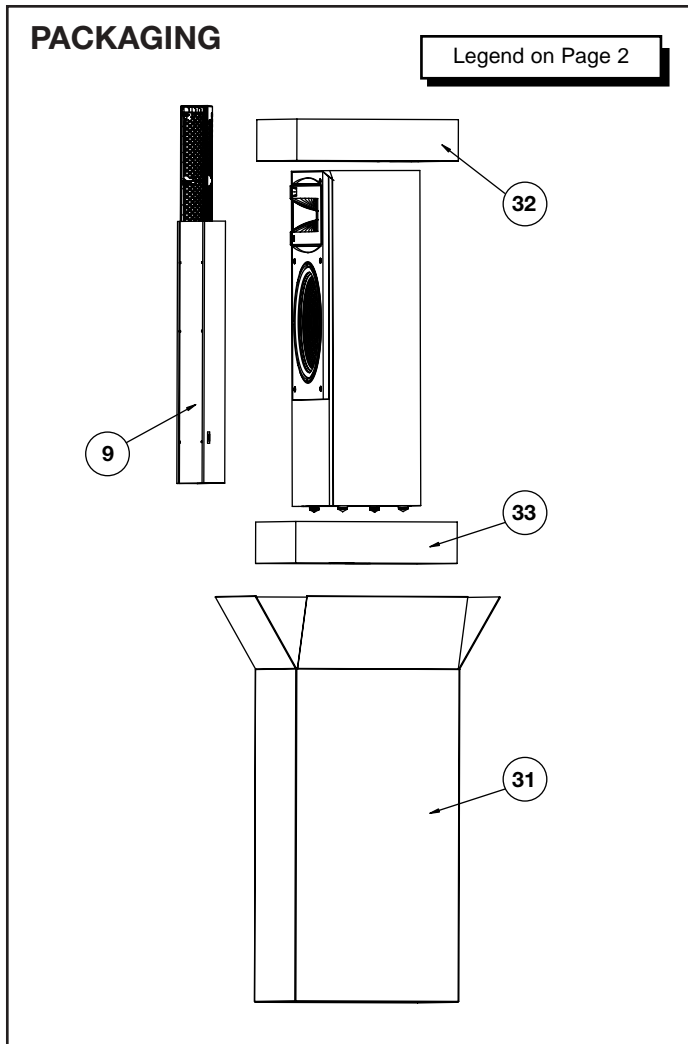
PHYSICAL SPECIFICATIONS:

- Enclosure dimensions 42" x 19-3/4" x 14-5/8"
(H x W x D)
(plus 3/4" for spike feet)
(1066mm x 501mm x 371mm)
- Weight 143 lb (65kg) Each

WARRANTY:

- Refer to Warranty Statement packed with each product.

* The maximum recommended amplifier power rating will ensure proper system headroom to allow for occasional peaks. We do not recommend sustained operation at these maximum power levels.



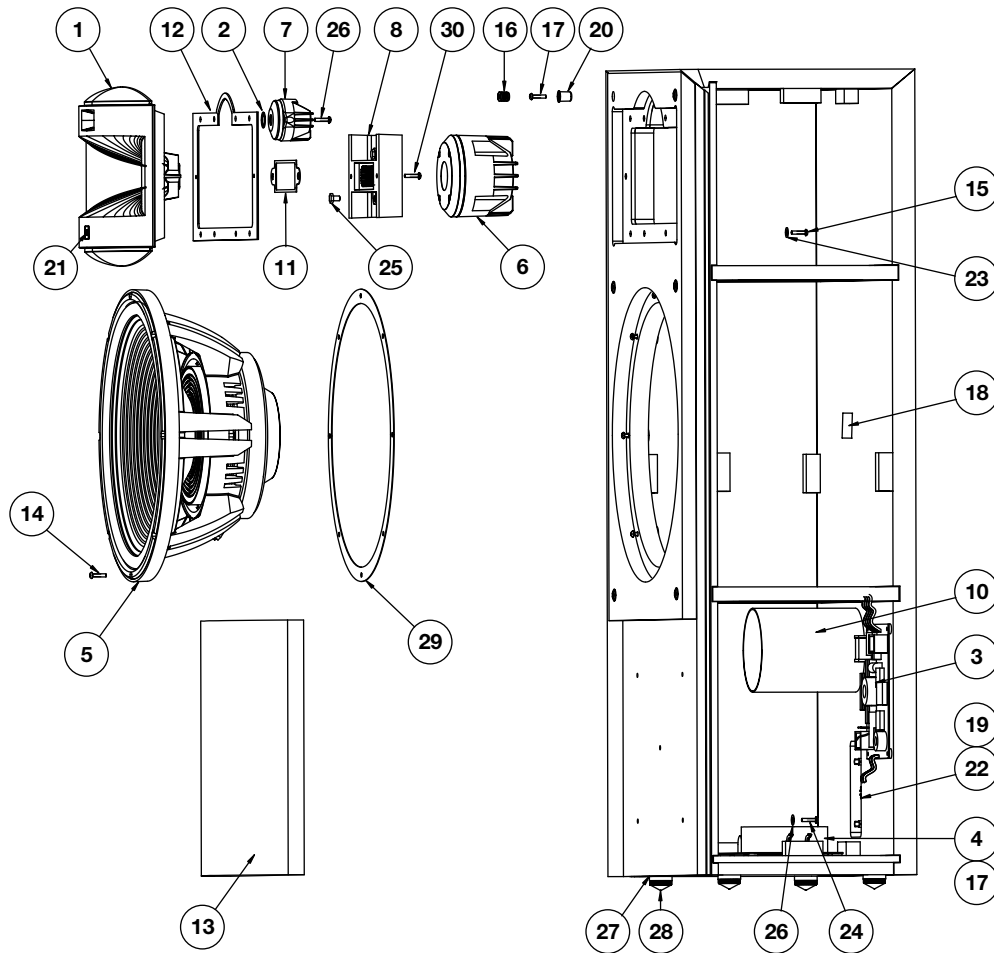
S4800

Technical Manual

S4800



EXPLODED VIEW



ITEM NO.	DESCRIPTION	QTY.	PART NO.	ITEM NO.	DESCRIPTION	QTY.	PART NO.
1.	Horn, HF/UHF, Finished	1	339360-002	18.	Screw (Tie Wrap/Cab) 10 X 3/4, PAN, PH, PB, CLR, ZC, LCS	2	884-41110-12
2.	Gskt, UHF-K25800, Drv/Horn	1	339976-001	19.	Screw (HF Ntwk/Cab) 6 X 3/4, PAN, PH, PB, BLK ZINC, LCS	10	882-41110-12
3.	Network, HF/UHF-S4800	1	351409-001	20.	Receptacle, Fastener-S4800	6	351556-001
4.	Network, LF-S4800	1	351409-002	21.	Logo, Horn, Gold	1	350305-002
5.	Asy, Wfr-1500Fe	1	338975-001	22.	Insert, Nylon	6	332259-001
6.	Asy, Midrng-435AL	1	338831-001	23.	Washer: #10, Type A, ZINC PL	13	843-00100-05
7.	Asy, Twtr, UHF-045TI	1	339009-001	24.	Screw 8-32 X 1-3/4, SCKTCAP, HEX, CLR ZINC	5	873-33004-28
8.	Horn, HF, Rear, Pntd	1	339092-002	25.	BLT, 1/4-20 X 3/4, HEX, TAP, CLR, ZC, LCS	4	854-00000-12
9.	Asy, Grl, Frnt-S4800	1	351434-001	26.	Screw (Twtr) 6-32 X 3/8, BTN, HEX, NO FIN, SS	2	802-93056-06
10.	Port Tube, 4-1/8" x 5.125 ID	1	59499	27.	Nut, Insert, Brass	4	340805-001
11.	Gskt, Horn, Throat, HF	1	339702-001	28.	Ft, Spike, Brass	4	340805-002
12.	Gskt, Horn	1	339430-001	29.	Gasket, Drvr, 15"	1	338073-001
13.	Pnl, Curved, Fnshd-S4800	1	351435-002	30.	Screw 10-32 X 1-1/4, PAN, PH, BLK ZINC, LCS	2	804-41110-20
14.	Screw (Wfr/Cab) 10-32 X 1, FIL, PH, BLK ZINC, LCS	8	804-01110-16	31.	Carton, Master-S4800	1	351430-001
15.	Screw (Horn/Cab) 10-32 X 1-1/2, SKT, HEX, CLEAR ZINC, LC	8	804-73100-24	32.	Pad, End, Top-S4800	1	351431-001
16.	Cup, Grille	6	333249-001	33.	Pad, End, Bot-S4800	1	351432-001
17.	Screw (LF Ntwk/Cabinet) 8 X 1, PAN, PH, PB, BLK ZINC, LCS	12	883-41110-16				

S4800